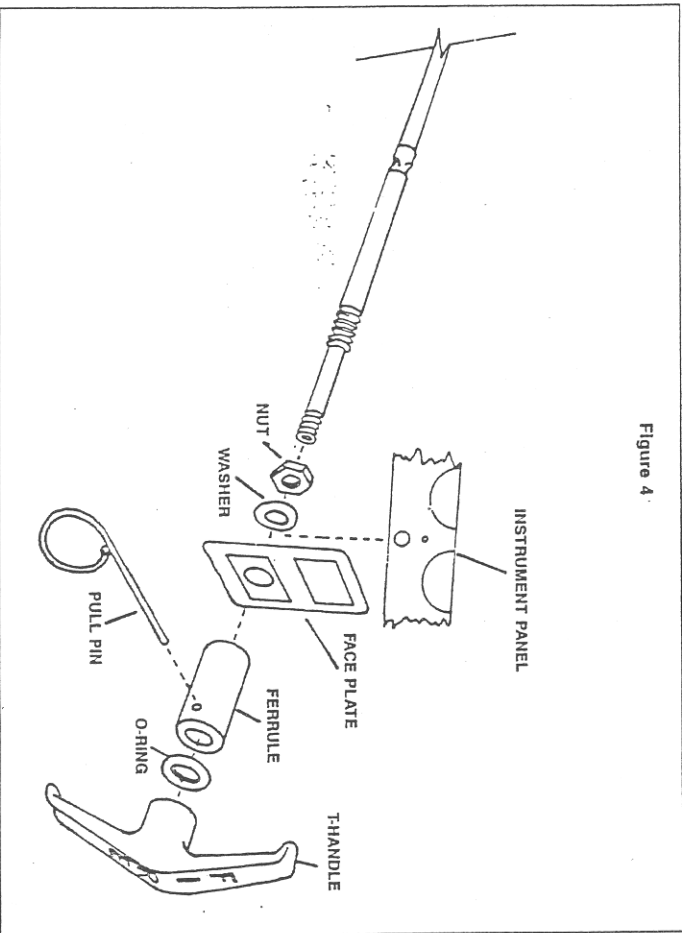


## CABLE ASSEMBLY INSTALLATION INSTRUCTIONS (CONTINUED)

### 4. Connecting cable assembly to cylinder.

- 4.1 Before attaching cable to the cylinder, check that the cylinder bracket is located correctly and firmly mounted.
- 4.2 With the cylinder strapped to bracket, pass the cable jacket ferrule completely through the hole in the cylinder manifold. This will allow the necessary cable flexibility needed for inserting the offset end of the flexible shaft into the actuator lever. After connecting the shaft and actuator lever, move the cable back and align the ferrule groove with the slot in the manifold. Insert the locking clip that is provided with the cable assembly. The cable assembly must be locked to the manifold or accidental discharge can occur.
- 4.3 Using care, remove the factory installed actuator lever safety pin from the cylinder. Store safety pin in the nylon retainer provided on the cylinder neck.
- 4.4 The Sea-Fire extinguishing system is now fully operational.
- 4.5 For safety reasons, always insert the safety pin in the actuator lever when performing service.



## CABLE INSTRUCTIONS

Sea-Fire Marine  
9331-A Philadelphia Road  
Baltimore, MD 21237 USA  
Phone 410-687-5500  
Fax 410-687-5503

**CAUTION:**  
**DO NOT**

**PUSH OR PULL  
CABLE CORE  
WHILE IN THE  
COILED CONDITION.**



[www.sea-fire.com](http://www.sea-fire.com)

# CABLE ASSEMBLY INSTALLATION INSTRUCTIONS

## CAUTION

Accidental discharge during handling or installation may cause serious injury. Do not remove factory installed safety pin from cylinder actuator until installation is completed and checked. Do not carry, handle or lift cylinder by its actuator, switch or cable. Wear eye protection when installing or servicing the system.

### 1. Select the proper location.

- 1.1 Manual discharge release handle should never be installed within the protected compartment.
- 1.2 Locate discharge handle at the helm station with full view and easy access by the operator.]
- 1.3 Area selected for the operator should be structurally secure and provide at least twelve (12) inches (31 cm) of clearance at the rear of the panel to facilitate cable hardware.
- 1.4 Do not install actuator cable in areas where the possibility of physical abuse is prevalent. Where practical, follow the same cable path as installed by the craft manufacturer.
- 1.5 The cumulative number of bends in the cable run must never exceed 360 degrees. This is equivalent to four (4) right (90 degree) angles. Use extreme care when bending cable to avoid kinking. Never form a bend with a radius of less than twelve (12) inches (31cm). Selection of the correct Sea-Fire cable length will eliminate cable coils.

### 2. Mounting manual discharge cable, face plate and release handle.

- 2.1 Using the manual discharge face plate as a template (Figure 4) mark and drill a 13/32" hole. Install the manual release cable adhering to the guideline in paragraph 1.
- 2.2 Do not connect cable to the cylinder at this time.
- 2.3 Remove the protective backing from the face plate. While aligning the 13/32" holes, place even pressure upon the face plate. To assure good bind, the temperature should be in excess of 50°F (10°C).
- 2.4 Following the diagram in Figure 4, install the nut and lock washer on the cable and insert the cable end through the panel and face plate hole. Extend cable shaft out to its fullest and install ferrule by screwing onto the cable shaft end. Do not over tighten, our to five turns are sufficient.
- 2.5 Place rubber o-ring seal onto the cable shaft and install the release handle by screwing it onto the cable shaft. So not tighten to the point where the pull pin hole in the handle will be obstructed.
- 2.6 Push the handle into the ferrule. This will seat the o-ring seal. Align the pull pinholes in the handle and ferrule and insert pull pin.
- 2.7 Turn the handle so that the word (FIRE) is vertical. The handle can now be locked in this position by tightening the nut behind the face plate panel.

# CABLE ASSEMBLY INSTALLATION INSTRUCTIONS (CONTINUED)

- 2.8 Temporarily remove pull pin (Figure 4) and test cable operation. Cable must move freely without friction or binding. Reinstall pull pin and confirm that the release handle is now locked in place.
- 2.9 Tamper for pull pin. Attach the tamper resistant (round plastic tie) to the pull pin by passing the tie through the pull pin ring and the cable handle assembly. Insert the end of the tie into tab end and pull up snug. The tie provides means of determining if manual discharge has occurred.
- 2.10 Nylon cable ties have been provided for cable securing. Fasten and support the cable on straight runs only. Do not secure at locations where cable forms a bend. Do not use nylon cable ties as tamper for pull pin.

### 3. Installation verification and test requirement.

#### Specification / Regulation

- U.S.C.G. - Navigation, and Vessel Inspection (NVIC 6-72, Section V, Page 71) requires a maximum of 40 lbs. of force required at "T" handle (pull station) to activate system discharge.
- NFPA 12A - Operating devices, Para. 1-8.3.7 maximum of 40 lbs. of force required at "T" handle (pull station) to activate system discharge.
- Sea-Fire - minimum of 10 lbs. of force required at the "S" hook (extinguisher) to activate system discharge.

#### Test Procedure

- 3.1 After the initial routing of cable assembly is completed:
  - 3.1.1 Attach a spring scale to the "S" hook. (Fire extinguisher end) in place of extinguisher.
  - 3.1.2 Attach a spring scale to the "T" handle (pull station) end of the cable assembly.
  - 3.1.3. Apply pull force to the "T" handle (pull station), to exert 10 lbs. of tension force at the "S" hook (extinguisher end).
  - 3.1.4 Ensure that the required force at the "T" handle (pull station) does not exceed 40 lbs. of force to achieve 10 lbs. of tension.
  - 3.1.5 If less than 40 lbs. (at the pull station) force achieved 10 lbs. (at extinguisher) tension, then complete the cable assembly installation per manufacturer's recommendations.
  - 3.1.6 If greater than 40 lbs. of force was exerted to achieved 10 lbs. of tension, then the cable routing should be changed.

Note: Allow cable to lay in its most natural state during installation, and limit the amount of the downs utilized.

Note: A maximum of 360° in turns (radius), and no less than 12 inches of radius (24 inches) should be utilized.